

Multi Swing Prism

370° Rotateable & 140° Tiltable Industrial Endoscope



Multi Swing Prism Borescopes from IT Concepts are highly developed inspection devices, assembled from highly precise optical and mechanical parts. Design, construction and specialized manufacturing make them suitable for professional use in daily rough industrial applications. By means of Multi Swing Prism an individually adjustable direction of view (DoV) is provided. This allows prograde (forward) or retrograde (backward) -7° to $+133^\circ$ view plus the ability to rotate the probe (370°) simultaneously during the inspection without changing the endoscope.

Visualisation

The 370° rotatable endoscope tip and the 140° tiltable swing prism are allowing an individual calibration of direction of view (DoV) without changing the endoscope. For every Multi Swing Prism-type special lens-systems were calculated. The results are optimal optical data and best image quality due to achromatic (8,0/9,0mm) or mixed systems (6,0mm).

Illumination

The integrated fibre light guide with high light transmission and the low loss light coupling between the light source and the light guide adaptor results into provides extremely bright object illumination. For optimal results it is recommended to use IT Concepts Illumination Accessories as light guide adaptors, light guide cables, light source adaptor and light sources.

Documentation

The focussable 32mm standard DIN (corresponding to DIN 58105, part 2) eyepiece opens a variety of different documentation options. Inspection images can be used for reports or archiving. For this purpose we recommend camera adaptors, CCD colour video camera, displays, monitors and documentation hubs from the accessories program from IT Concepts.



Light Sources
3W - 300W



3W Led
Hand Lightsource



Wide Range of
Illumination Adapters



Wide Range of
Light Guide Cables



Wide Range of
Camera Adapters



Video Cameras
CCD & CMOS

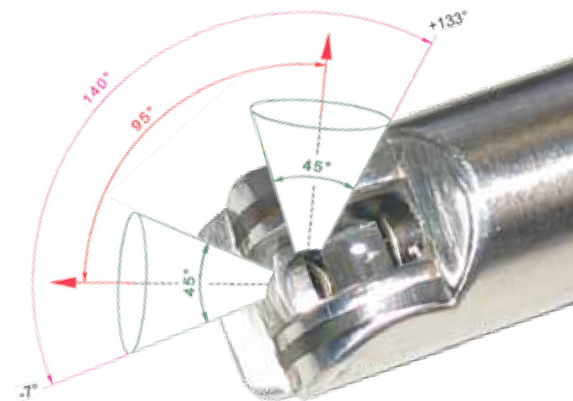


Learn more
www.itcworld.de



Worldwide
Service & Support

6.0mm	Length	DoV	FoV	Rotatable	Construction
6.0mm	175mm	-7° to 133°	45°	yes, 370°	Stainless Steel
6.0mm	245mm	-7° to 133°	45°	yes, 370°	Stainless Steel
6.0mm	315mm	-7° to 133°	45°	yes, 370°	Stainless Steel
6.0mm	385mm	-7° to 133°	45°	yes, 370°	Stainless Steel
6.0mm	455mm	-7° to 133°	45°	yes, 370°	Stainless Steel
6.0mm	945mm	-7° to 133°	45°	yes, 370°	Stainless Steel
8.0mm					
8.0mm	115mm	-7° to 133°	45°	yes, 370°	Stainless Steel
8.0mm	185mm	-7° to 133°	45°	yes, 370°	Stainless Steel
8.0mm	255mm	-7° to 133°	45°	yes, 370°	Stainless Steel
8.0mm	325mm	-7° to 133°	45°	yes, 370°	Stainless Steel
8.0mm	395mm	-7° to 133°	45°	yes, 370°	Stainless Steel
8.0mm	465mm	-7° to 133°	45°	yes, 370°	Stainless Steel
8.0mm	605mm	-7° to 133°	45°	yes, 370°	Stainless Steel
9.0mm					
9.0mm	205mm	-7° to 133°	45°	yes, 370°	Stainless Steel
9.0mm	305mm	-7° to 133°	45°	yes, 370°	Stainless Steel
9.0mm	405mm	-7° to 133°	45°	yes, 370°	Stainless Steel
9.0mm	505mm	-7° to 133°	45°	yes, 370°	Stainless Steel
9.0mm	605mm	-7° to 133°	45°	yes, 370°	Stainless Steel
9.0mm	705mm	-7° to 133°	45°	yes, 370°	Stainless Steel



IMAGING TECHNOLOGY
& VISIBLE SOLUTIONS

